

## TRIDICATORS

- Back and Bottom Mounting Options
- Rotatable Set Pointer
- Rugged Construction
- Three-Color Dial
- Three Pressure Ranges
- 2½" & 3½" Sizes

Marsh Instruments Tridicators (Boiler Gauges) are designed and suitable for hot water heating systems. These instruments indicate pressure in psi and altitude for pools and spa's in feet of H<sub>2</sub>O; in °F and °C. All models feature a set hand for setting the desired pressure and altitude of the installation.

Typical applications include hot water boilers, heated pools, spa's and hot tubs.

### STANDARD RANGES & PART NUMBERS

TYPE	TRIDICATORS		
Size	2½"	3½"	3½"
Case Style	Round	Square	Square
Case Material	Steel	Steel	Steel
Internals	Copper Alloy	Copper Alloy	Copper Alloy
Mounting/Case Style	CB	LBM	LM
Connection	¼ NPT	½ NPT	½ NPT
Scale Standard	psi/Feet of Water	psi/Feet of Water	psi/Feet of Water
0 to 60 psi / 0 to 130 ft H <sub>2</sub> O	Y22026	Y22006	Y22002
0 to 100 psi / 0 to 230 ft H <sub>2</sub> O		Y22008	Y22004
0 to 200 psi / 0 to 460 ft H <sub>2</sub> O		Y22016	Y22012
0 to 300 psi / 0 to 680 ft H <sub>2</sub> O		Y22018	Y22014



### SPECIFICATIONS

**ACCURACY**  
ASME Grade B = ±3/2/3% (±2% of range across middle half of scale)

**CASE SIZE**  
2½" Round & 3½" Square

**CASE MATERIAL**  
Steel, black painted

**CONNECTION**  
2½" case: ¼ NPT Center Back Mount, 3½" case: ½ NPT Lower Mount or Lower Back Mount

**PRESSURE RANGES**  
Dual scale in 4 ranges:  
0 to 60 psi & 0 to 130 ft. of water  
0 to 100 psi & 0 to 230 ft. of water  
0 to 200 psi & 0 to 480 ft. of water  
0 to 300 psi & 0 to 680 ft. of water

**TEMPERATURE RANGE**  
60° to 260°F & 20° to 120°C

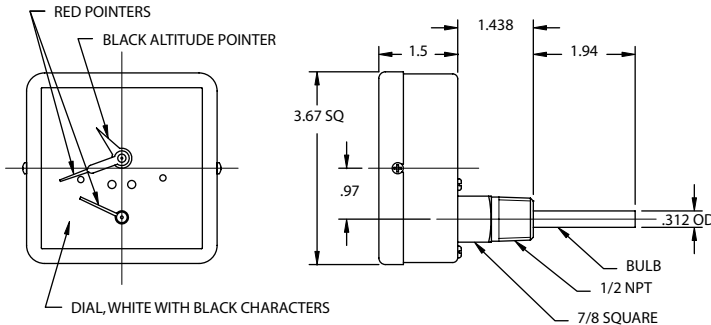
**DIALS** Black markings on white  
**TUBE & SOCKET** Copper Alloy

**POINTERS**  
Aluminum, red painted with black painted set pointer

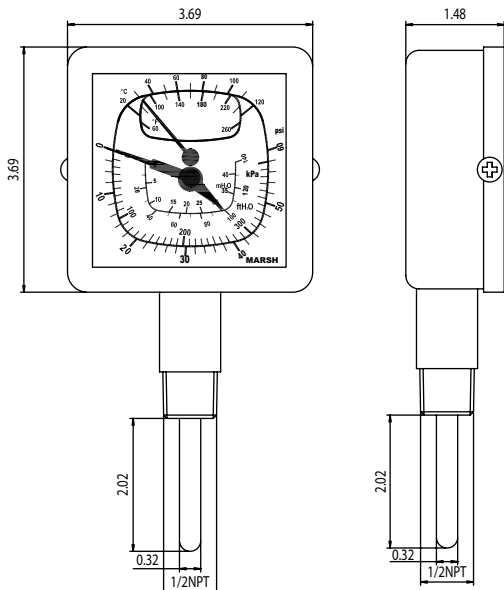
**WINDOW**  
2½" Acrylic  
3½" Glass

**WINDOW**  
2½" 2.0 lb.  
3½" 2.5 lb.

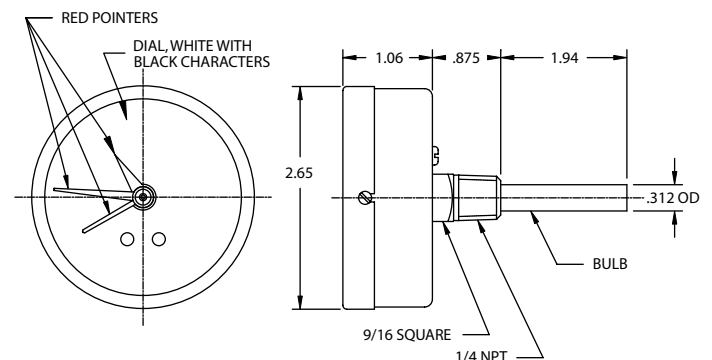
#### Y22006



#### Y22002



#### Y22026



ALL DIMENSIONS ARE NOMINAL